

Microwave Switch

- ◆ **High Density Microwave Switch**
- ◆ **Double-slot, C-size, Message-based VXIbus Module**
- ◆ **DC to 18GHz**
- ◆ **Provides Ultra High Density for RF and Microwave Switching Requirements**
- ◆ **2, 4 or 6 SPST, 50Ω Coaxial Switches**
- ◆ **Direct SMA Front Panel Connections**

Racal Instruments™ 1260-66 is ideal for high-density microwave applications. This module provides a low-noise environment for microwave signals. All connections are made directly to the high performance SMA relay inputs at the front panel offering the ultimate signal integrity. Larger switching configurations can be configured using multiple modules.

The high power capability and frequency range of the 1260-66 make it ideal for use in several microwave test applications.

Relay coil currents of the microwave switches are monitored to provide user-selectable confidence checking which provides additional assurance of proper relay operation.

The 1260-66 is controlled by the Option 01 message-based interface.

1260-66 PRODUCT SPECIFICATIONS

MICROWAVE PERFORMANCE

Frequency Range

DC to 18 GHz

RF Impedance

50 Ω nominal

Maximum Power Per Channel

4 GHz: 70 W

12.4 GHz: 40 W

18 GHz: 30 W

Switching Sequence

Break before make

VXIBUS INTERFACE DATA

Cooling Requirements (at sea level)

Airflow: 1.0 liters/sec

Backpressure: 0.05 mm H₂O

With Option 01S/T

Airflow: 2.0 liters/sec

Backpressure: 0.2 mm H₂O

Power Requirements (I_{pm})

+5 V: 0.4 A (2.8 A with Option 01 installed)

+12 V: 300 mA per μ W relay (energized)

RF Performance

Frequency Range (GHz)	DC-4	4-12.4	12.4-18
VSWR	1.25:1	1.40:1	1.50:1
Insertion Loss (dB max)	0.2	0.3	0.4
Isolation (dB min)	60	60	60

Dimensions

C-size, Dual-slot VXIbus Module

User Connector

SMA male (not supplied)

ENVIRONMENTAL DATA

Temperature

Operating: 0° C to 55° C

Storage: -55° C to 75° C

Humidity

95%, non-condensing

Altitude

15,000 ft.

Weight

6.0 lb (2.7 kg) without Option 01

6.28 lb (2.82 kg) with Option 01

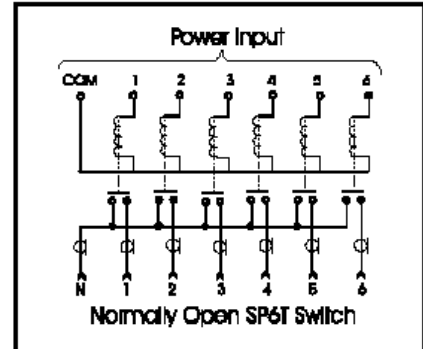
TYPICAL PROGRAMMING SYNTAX

Programming syntax is in the form:

"<module address>.<relay no.>.<pole no.>"

Example: CLOSE 2.10

This statement will close pole 0 of relay 1 on the 1260-66 at address 2.



1260-66

Microwave switch module configured as two, four or six SP6T channels.

CE The CE Mark indicates that the product has completed and passed rigorous testing in the area of RF Emissions, Immunity to Electromagnetic Disturbances and complies with European electrical safety standards.

ORDERING INFORMATION

MODEL/DESCRIPTION

Racal Instruments 1260-66A, Six SP6T Microwave Switches, 18GHz 64x64 Switching Matrix

Racal Instruments 1260-66B, Four SP6T Microwave Switches, 18GHz

Racal Instruments 1260-66C, Two SP6T Microwave Switch, 18GHz

Option 01*, Smart Card Module (installed)

*One Option 01 must be ordered with switch system. Please specify the card on which Option 01 will be installed

PART NUMBER

407499-001

407499-002

407499-003

OPT-401901-005

The EADS North America Defense Test and Services policy is one of continuous development, consequently the equipment may vary in detail from the description and specification in this publication.



EADS North America Defense Test and Services
1.800.722.2528/1.949.859.8999 sales@eads-nadefense.com